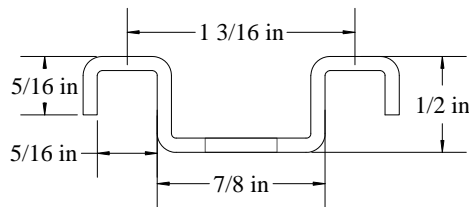
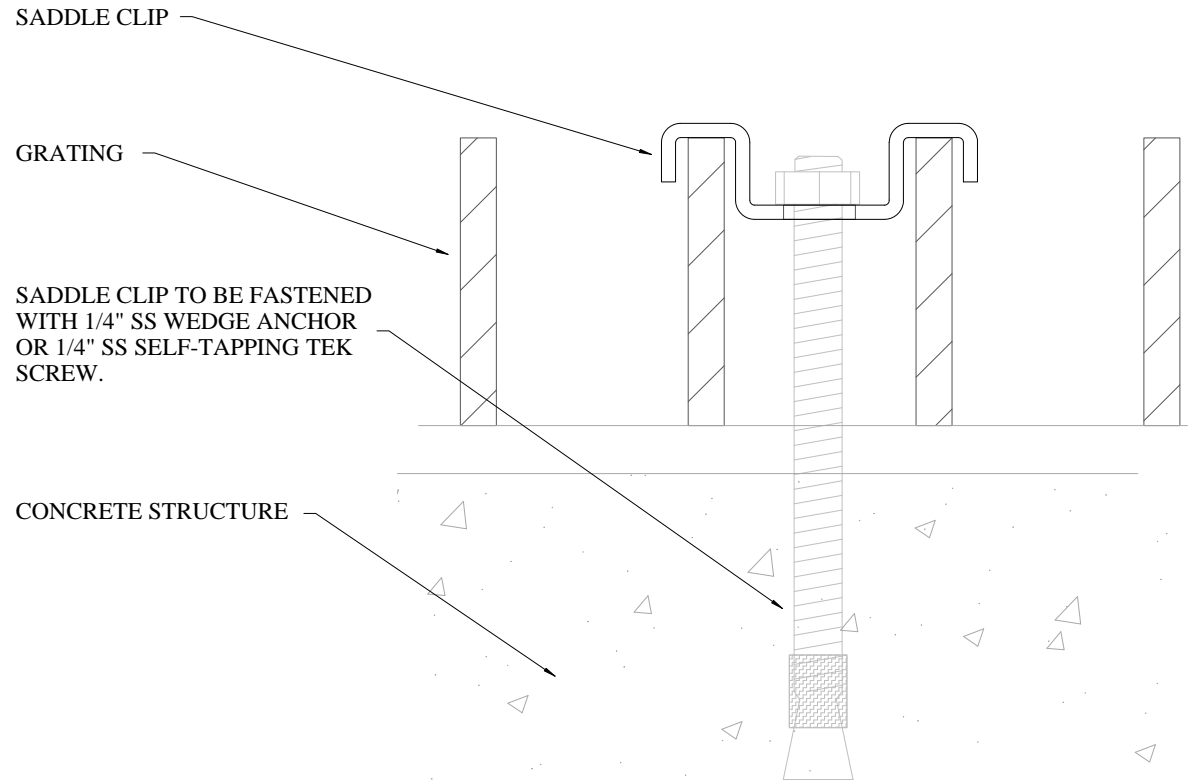


TOP VIEW



SIDE VIEW



INSTALLED VIEW

NOTES:

1. 14g (.074 in) STAINLESS STEEL TYPE 304
2. 1/4 in x 3 1/4 in WEDGE ANCHORS MAY BE SUBSTITUTED WITH 1/4 in x 2 1/2 in STAINLESS SELF-TAPPING TEK SCREWS IF INSTALLING CONTRACTOR PREFERENCES.
4. FASTENERS SHOULD BE INSTALLED AT 24 in MAX CENTERLINE WHEN GRATING IS INSTALLED HORIZONTALLY, AND 18 in MAX CENTERLINE WHEN INSTALLED VERTICALLY.

This CAD file and drawing is the property of Effluent Design & Fabrication, LLC. It is intended for the named recipient. Unauthorized reproduction, disclosure, or distribution is strictly prohibited.



6 William Martin Way
Flemington, NJ 08822

Phone: 908.458.9220
FAX: 908.458.9930

PROJECT: SADDLE CLIP DETAIL FOR 1 1/2 in & 2 in GRATING	FILE #:	SD1236
	DATE:	8-7-12
	SCALE:	
	DRAWN BY:	KJP