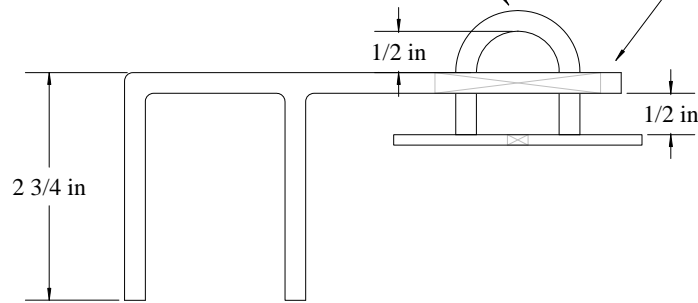


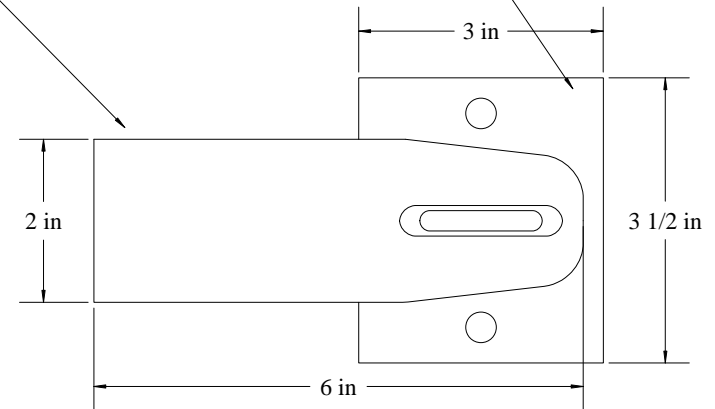
1/4 in STAINLESS STEEL LOOP WELDED TO PLATE FOR LOCK. LOCK SUPPLIED BY OTHERS.

1/4 in ALUMINUM FLAT STOCK HASP WELDED TO ALUMINUM GRATING.

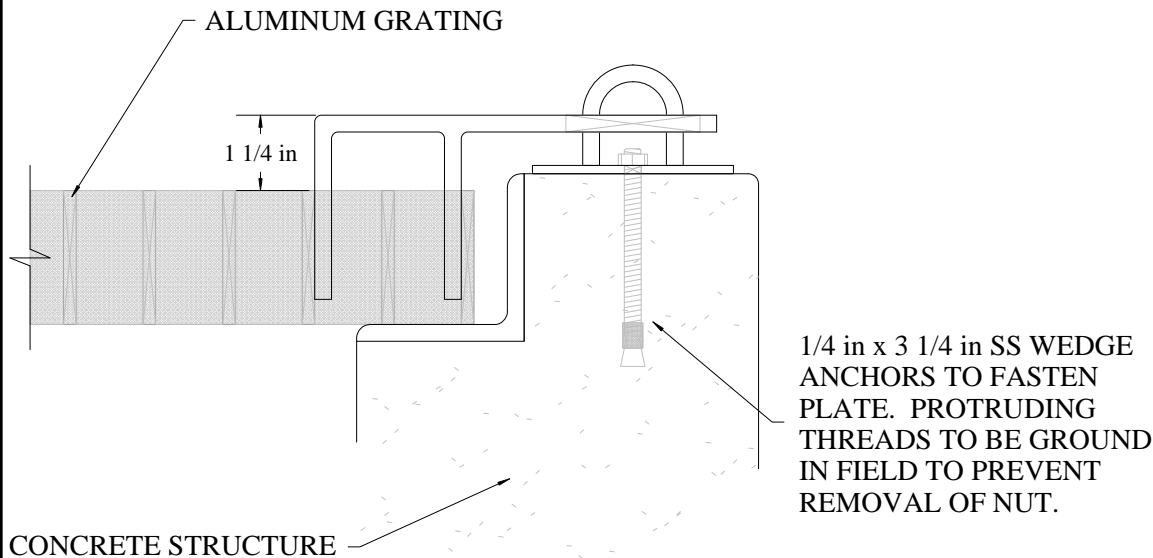
1/8 in STAINLESS STEEL PLATE FASTENED TO CONCRETE STRUCTURE WITH (2) 1/4 in x 3 1/4 in SS WEDGE ANCHORS.



SIDE VIEW



PLAN VIEW



1/4 in x 3 1/4 in SS WEDGE ANCHORS TO FASTEN PLATE. PROTRUDING THREADS TO BE GROUND IN FIELD TO PREVENT REMOVAL OF NUT.

SIDE VIEW - INSTALLED

NOTES:

1. ALL ALUMINUM TO BE ALLOY 6061-T6.
2. ALL STAINLESS STEEL TO BE EITHER TYPE 304 OR 308.
3. EXPOSED THREADS ON FASTENERS SHOULD BE GROUND IN FIELD AFTER INSTALLATION TO PREVENT LOOSENING OF THE NUTS AND UNAUTHORIZED ENTRY INTO STRUCTURE.
4. LOCK TO BE SUPPLIED BY OTHERS.
5. GRATES WITH LOCK HASP ASSEMBLY MUST ALSO HAVE HINGES INSTALLED TO PREVENT OTHER END OF GRATING FROM BEING REMOVED.

This CAD file and drawing is the property of Effluent Design & Fabrication, LLC. It is intended for the named recipient. Unauthorized reproduction, disclosure, or distribution is strictly prohibited.



6 William Martin Way
Flemington, NJ 08822

Phone: 908.458.9220
FAX: 908.458.9930

PROJECT:	STANDARD LOCK HASP ASSEMBLY FOR ALUMINUM GRATING	FILE #:	SD1214
		DATE:	2-8-12
		SCALE:	N/A
		DRAWN BY:	KJP